

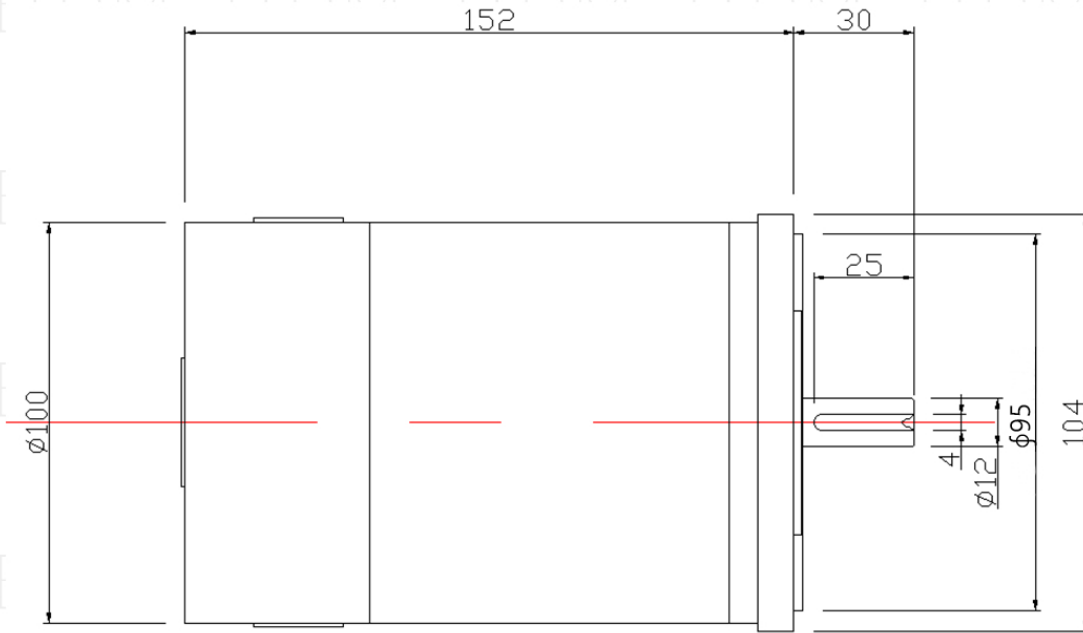
# HDM

## DC MOTOR STANDARD TYPE

### 4H104D S SERIES

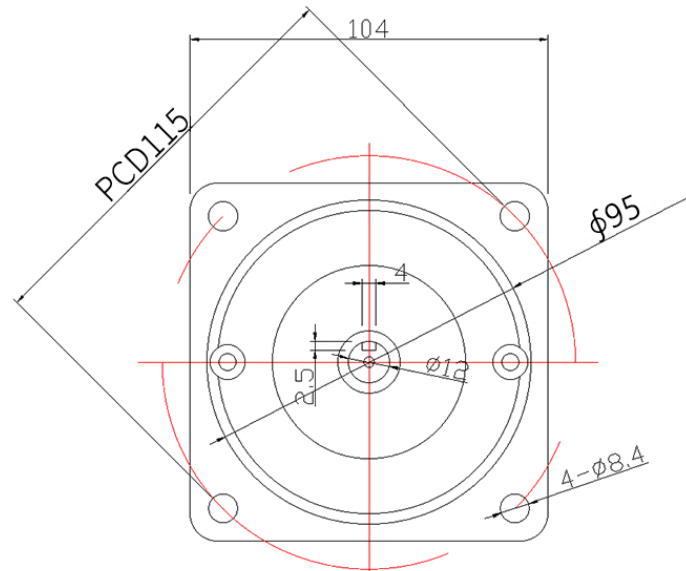
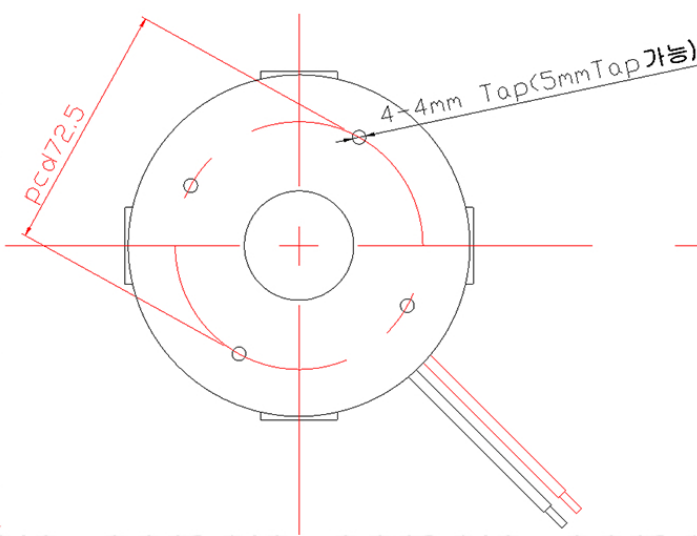
### 200W~500W

#### DIMENSION



▶ SHAFT KEY SPEC

1. 12  $\phi$  4\*4\*25 (1R)
2. 14  $\phi$  5\*5\*22 (2R)



#### MOTOR SPECIFICATION

MODEL	VOLTAGE (V)	OUTPUT (W)	CURRENT (A)	SPEED (RPM)	TORQUE (kgf-cm)	LENGTH (MM)
4H104D200B-24K12-34	24	200	11.8	3000	6.5	132
4H104D200B-36K12-34	36	200	7.85	3000	6.5	132
4H104D300B-24K12-34	24	300	17.7	3000	9.7	142
4H104D300B-36K12-34	36	300	11.8	3000	9.7	142
4H104D400B-24K12-34	24	400	23.5	3000	12.3	152
4H104D400B-36K12-34	36	400	15.7	3000	12.3	152
4H104D500B-24K12-34	24	500	29.5	3000	16	152
4H104D500B-36K12-34	36	500	19.6	3000	16	152

\*업그레이드를 위해 사양이 변경될 수 있습니다. <https://www.hdms.co.kr/>