

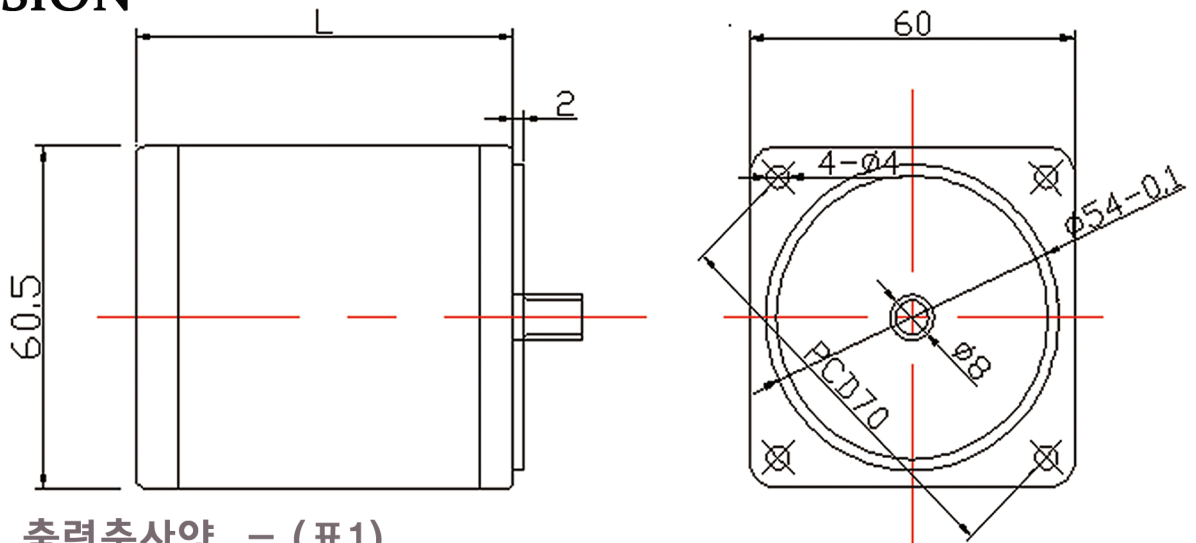


HDM

D.C MOTOR STANDARD TYPE

H6D SERIES 06W~25W

DIMENSION



SHAFT 출력축사양 - (표1)

MODEL	GEARED TYPE	STRAIGHT TYPE	D-CUT TYPE
	H6D□ - □G	H6D□ - □S	H6D - □D
출력축 구분			

MOTOR SPECIFICATION

MODEL	VOLTAGE (V)	OUTPUT (W)	CURRENT (A)	SPEED (RPM)	TORQUE (kgf-cm)	SPEED (RPM)	TORQUE (kgf-cm)	LENGTH L(mm)
H6D12 - 15□	12	15	1.8	3000	0.49	1-1000	1.47-30	79.5
H6D12 - 25□	12	25	2.9	3000	0.78	1-1000	2.34-30	89.5
H6D12 - 35□	12	35	4.1	3000	1.15	1-1000	3.45-30	99.5
H6D24 - 15□	24	15	0.88	3000	0.49	1-1000	1.47-30	79.5
H6D24 - 25□	24	25	1.47	3000	0.78	1-1000	2.34-30	89.5
H6D24 - 35□	24	35	0.2	3000	1.15	1-1000	3.45-30	99.5
H6D90 - 15□	90	15	0.23	3000	0.49	1-1000	1.47-30	79.5
H6D90 - 25□	90	25	0.39	3000	0.78	1-1000	2.34-30	89.5
H6D90 - 35□	90	35	0.54	3000	1.15	1-1000	3.45-30	99.5