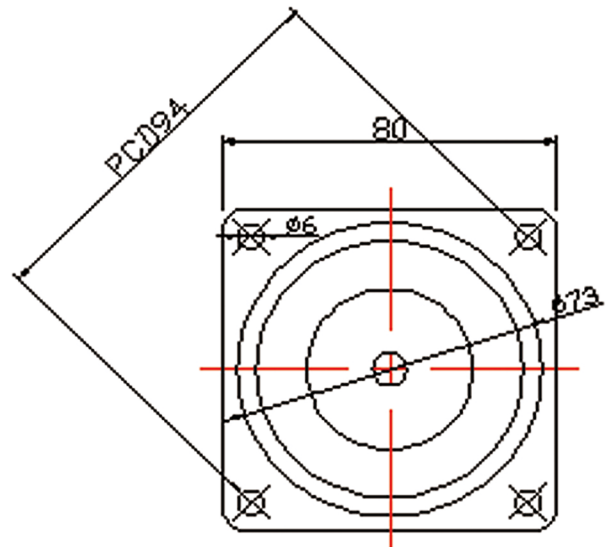
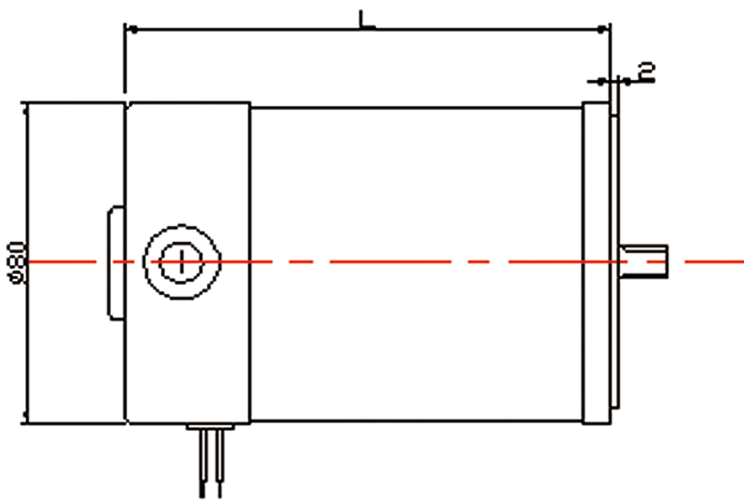




D.C MOTOR STANDARD TYPE

H8D SERIES 25W~40W

DIMENSION



SHAFT 출력축사양 - (표1)

MODEL	GEARED TYPE	STRAIGHT TYPE	D-CUT TYPE
	H8D□ - □G	H8D□ - □S	H8D - □D
출력축 구분			

MOTOR SPECIFICATION

MODEL	VOLTAGE (V)	OUTPUT (W)	CURRENT (A)	SPEED (RPM)	TORQUE (kgf-cm)	SPEED (RPM)	TORQUE (kgf-cm)	LENGTH L(mm)
H8D□-25□	12	25	2.8	3000	0.78	1-1000	2.34-80	116.1
H8D□-40□	12	40	4.7	3000	1.3	1-1000	3.9-80	116.1
H8D□-25□	24	25	1.4	3000	0.78	1-1000	2.34-80	116.1
H8D□-40□	24	40	2.35	3000	1.3	1-1000	3.9-80	116.1
H8D□-25□	90	25	0.37	3000	0.78	1-1000	2.34-80	116.1
H8D□-40□	90	40	0.62	3000	1.3	1-1000	3.9-80	116.1
H8D□-60□	90	60	0.94	3000	1.9	1-1000	5.7-80	116.1
H8D□-25□	180	25	0.18	3000	0.78	1-1000	2.34-80	116.1
H8D□-40□	180	40	0.31	3000	1.3	1-1000	3.9-80	116.1
H8D□-60□	180	60	0.47	3000	1.9	1-1000	5.7-80	116.1