

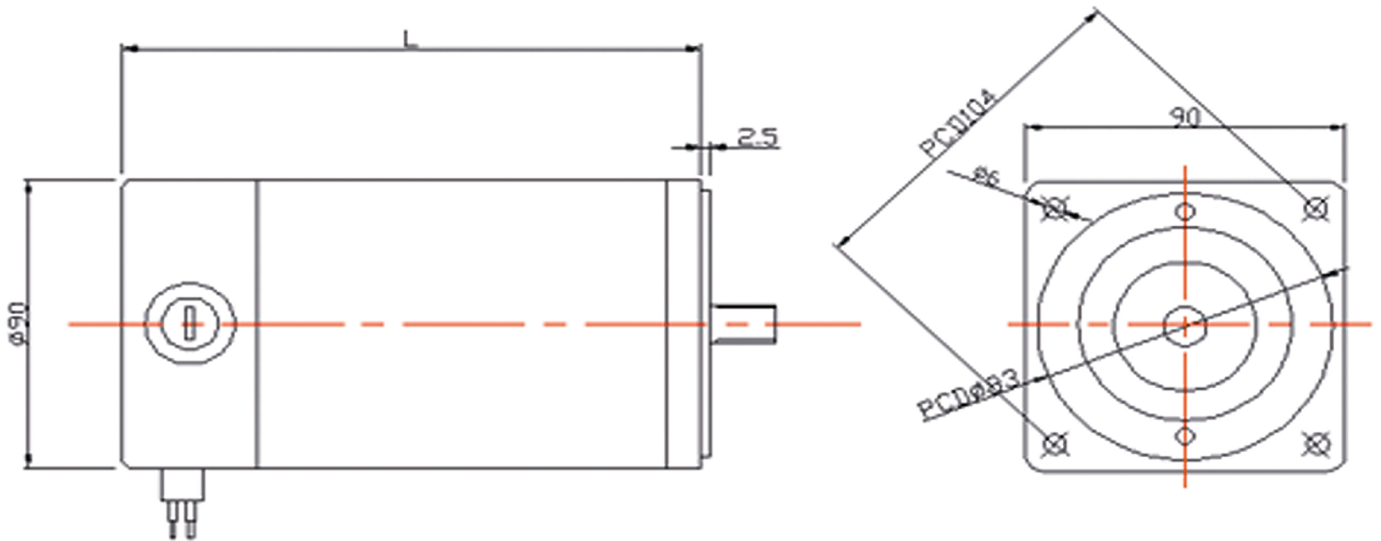


HDM

D.C MOTOR STANDARD TYPE

H9D SERIES 200W~400W

DIMENSION



SHAFT 출력축사양 - (표1)

MODEL	GEARED TYPE	STRAIGHT TYPE	D-CUT TYPE	KEY TYPE
	H9D□ - □G	H9D□ - □S	H9D□ - □D	H9D□ - □K
출력축 구분				

MOTOR SPECIFICATION

MODEL	VOLTAGE (V)	OUTPUT (W)	CURRENT (A)	SPEED (RPM)	TORQUE (kgf-cm)	SPEED (RPM)	TORQUE (kgf-cm)	LENGTH L(mm)
H9D12 - 200□	12	200	23.5	3000	6.5	1-1000	19.5-300	163
H9D12 - 250□	12	250	29.4	3000	8	1-1000	24-300	163
H9D12 - 300□	12	300	35.3	3000	9.7	1-1000	29.1-300	183
H9D24 - 200□	24	200	11.7	3000	6.5	1-1000	19.5-300	163
H9D24 - 250□	24	250	14.7	3000	8	1-1000	24-300	163
H9D24 - 300□	24	300	17.6	3000	9.7	1-1000	29.1-300	183
H9D90 - 200□	90	200	3.14	3000	6.5	1-1000	19.5-300	163
H9D90 - 300□	90	300	4.7	3000	9.7	1-1000	29.1-300	163
H9D90 - 400□	90	400	6.3	3000	12.3	1-1000	38.7-300	183
H9D180 - 200□	180	200	1.57	3000	6.5	1-1000	19.5-300	163
H9D180 - 300□	180	300	2.35	3000	9.7	1-1000	29.1-300	163
H9D180 - 400□	180	400	3.14	3000	12.3	1-1000	38.7-300	183